

SPARE PARTS LIST FOR FORCED AIR HEATER HOT GUN MODEL HG 125NA

Part No.	PART NAME < MAIN SECTION >	CODE NO.	Q'TY /SET	125NA
				120V
1-1	SPOUT UNIT ASS'Y	50284 101005	1	●
1-2	LEVER	50284 201014	1	●
1-3	LOUVER SUPPORT	50284 201023	1	●
1-4	LOUVER	50284 101006	1	●
1-5	HEAT ISOLATION DRUM	50284 101003	1	●
1-6	FLAME BARRIER	50284 201007	1	●
1-7	COMBUSTION CHAMBER	50284 101002	1	●
1-8	BURNER CONE	50284 102003	1	●
1-9	OVERHEAT PROTECTOR	50262 202018	1	●
1-10	NOZZLE (0.85 gal)	50300 201018	1	●
1-11	WHIRL VANE	50284 202002	1	●
1-12	BURNER BOSS	50284 202007	1	●
1-13	ELECTRODE	50262 202010	1	●
1-14	INSULATING PLATE	50284 202013	1	N/A
1-14A		50327 202002	1	●
1-15	IGNITION TRANSFORMER	50284 202010	1	●
		50321 202003	1	●
1-16	FLAME MONITOR	50284 102004	1	●
		50321 102003	1	●
1-17	FLAME MONITOR BRACKET	50284 202004	1	N/A
		50327 202003	1	●
1-18	FAN MOTOR BRACKET	50284 202012	1	●
1-19	COMBUSTION FAN	50321 202001	1	●
1-20	CASING	50284 201001	1	●
1-21	COVER	50321 101001	1	●
1-22	CABLE HANGER	50242 202035	1	●
1-23	BLOWER MOTOR	50284 201012	1	N/A
		50327 201006	1	●
1-23A		50321 201006	1	●
1-24	BLOWER MOTOR BRACKET	50284 201013	2	●
1-25	VANE	50229 202045	1	●
1-26	GUARD	50284 101007	1	●
1-27	OVERHEAT PROTECTOR CABLE	50272 202014	1	●
		50321 202004	1	●
1-28	LOUVER COLLAR	50284 201025	1	●
1-29	NOZZLE NIPPLE	50217 202052	1	●

Part No.	PART NAME < CONTROL SECTION >	CODE NO.	Q'TY /SET	125NA
				120V
2-1	FUEL PUMP	50321 203001	1	●
2-2	PUMP BRACKET	50296 203005	1	●
2-3	PUMP-NOZZLE LINE	50296 203008	1	●
2-4	PUMP-NOZZLE GROMMET	21300 503-15	2	●
2-5	FUEL FILTER COMP.	50204 201085	1	N/A
		210210 003-9	1	●
2-6	FILTER ELEMENT	50204 201082	1	●
		21021 003-10	1	●
2-7	NIPPLE	21021 003-16	1	●
2-8	CASING SUPPORT	50284 103005	1	●
2-9	BURNER CONTROL	50321 204003	1	N/A
		50321 204005	1	●
		50330 201020	1	●
2-10	CONTROL BOARD SUPPORT	50229 201037	4	●
2-11	CONTROL BOARD SPACER	50271 202023	2	●
2-12	TRANSFORMER	50300 201005	1	●
2-13	FACE PLATE	50321 104003	1	●
2-14	BURNER CONTROL COVER	50284 204003	1	●
2-15	POWER CABLE including plug	50321 204001	1	N/A
		50300 201027	1	N/A
		50321 204006	1	●
		50321 204007	1	●
2-16	CABLE STOPPER	50205 201017	1	●
2-16B		50221 2A2028	1	●
2-17	FUSE (3A)	50300 201026	1	●
2-18	FUSE HOLDER	50217 202034	1	□
		50300 201024	1	●
2-19	SWITCH	50284 104003	1	●
		50321 104004	1	●
2-20	THERMOSTAT CABLE	50266 202007	1	●
		50288 204015	1	●
		50321 204008	1	●
2-21	VIBRATION SENSOR HOLDER	50219 201063	1	●
2-22	WASHER	21022 003-45	1	●

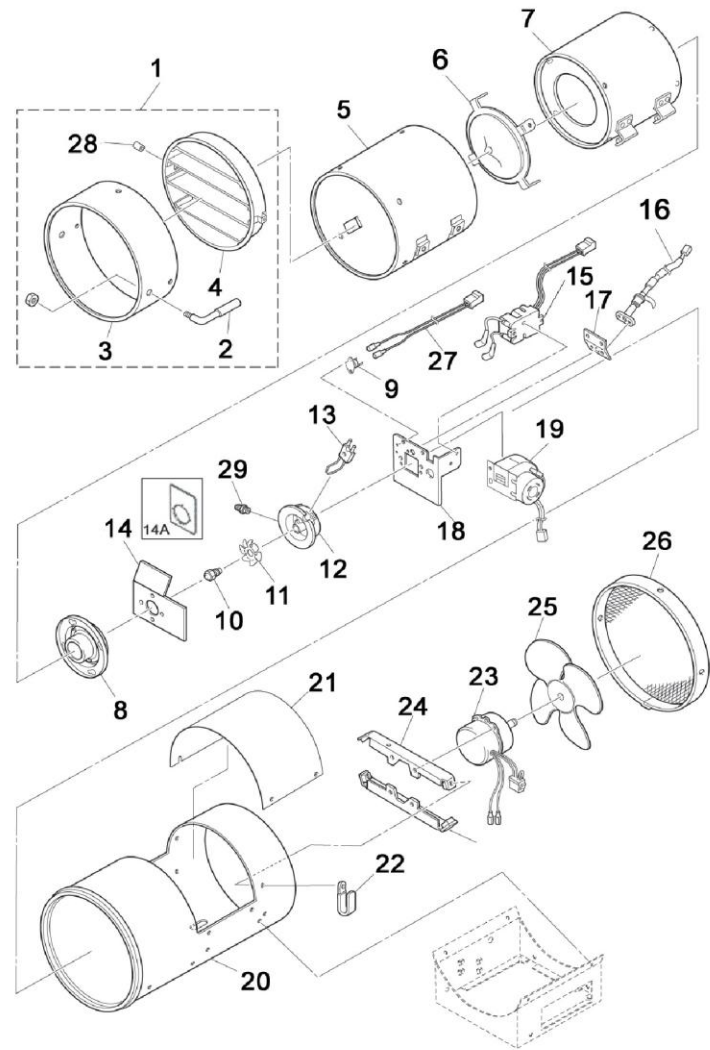
Part No.	PART NAME < TANK SECTION >	CODE NO.	Q'TY /SET	125NA
				120V
3-1	HANDLE BAR	50242 2B3017	1	●
3-2	HANDLE SUPPORT	50321 103005	2	●
3-3	RIVET	50242 203018	2	●
3-4	GRIP (F)	50284 203003	1	●
3-5	REINFORCEMENT BAR	50242 1B3008	2	●
3-6	GRIP (B)	50284 203004	1	●
3-7	SUCTION PIPE	50296 203007	1	●
3-8	SUCTION PIPE PACKING	50211 205015	1	●
3-9	FUEL TANK	50321 103002	1	●
3-10	FILLER CAP	50219 102003	1	●
3-11	TANK INLET FILTER	21022 002-11	1	●
3-12	FUEL GAUGE	50260 102003	1	●
3-13	DRAIN PACKING	50231 204021	1	●
3-14	DRAIN BOLT	50231 204020	1	●
3-15	WHEEL SHAFT ASS'Y	50321 103004	1	●
3-16	WHEEL	50201 204006	2	●

Year of manufacturer for VAL6 Heaters

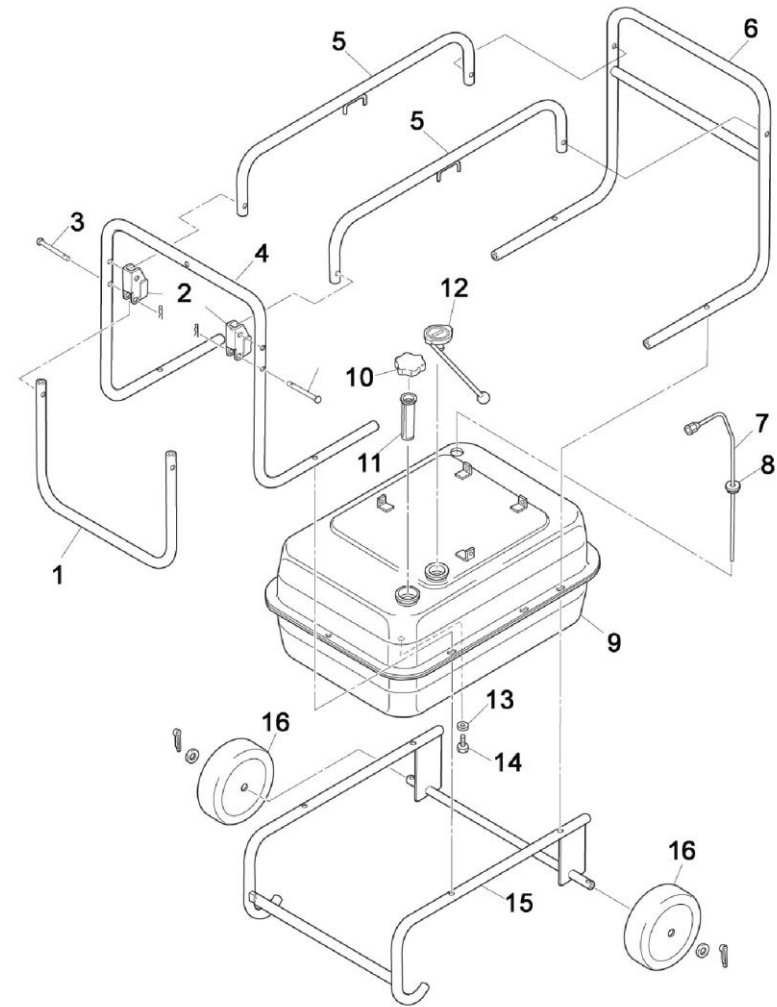
Year of manufacture	2001	2002	2003	2004	2005	2006	2007
Serial number (alphabet)	S	R	Q	P	N	J	I

Year of manufacture	2008	2009	2010	2011	2012	2013	2014
Serial number (alphabet)	H	G	F	E	D	C	B

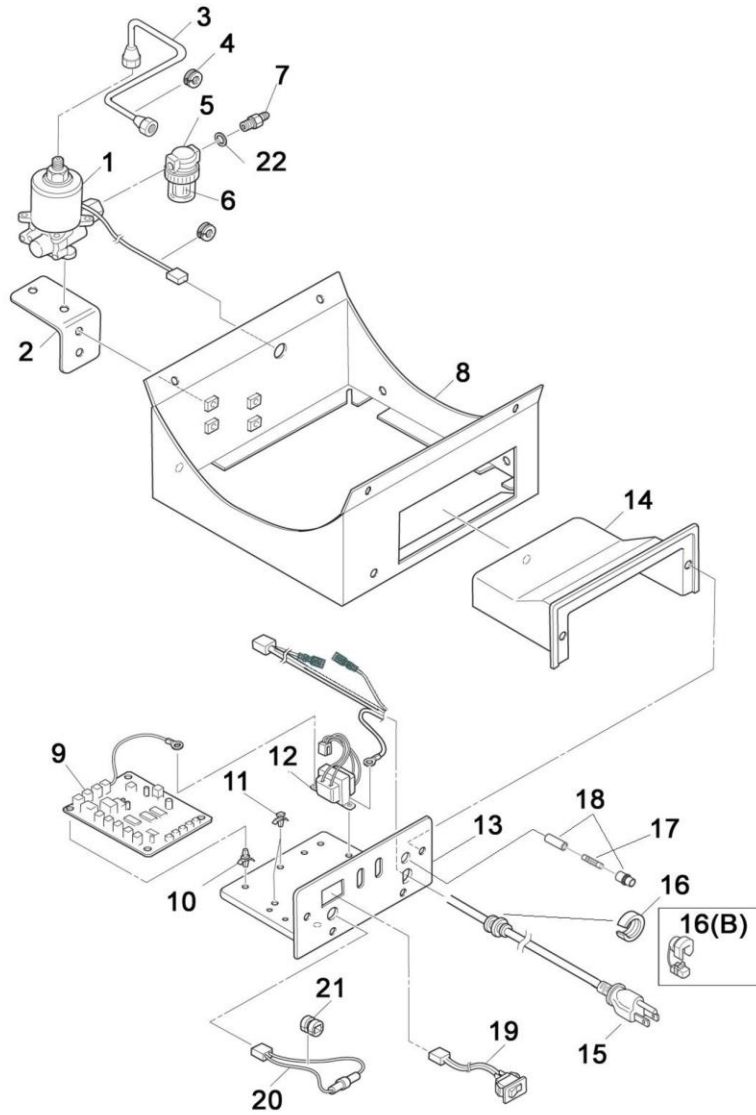
Year of manufacture	2015	2016					
Serial number (alphabet)	A						



HG-125NA Main Section



HG-125NA Tank Section



HG-125NA Control Section