

SPARE PARTS LIST FOR INFARED OIL HEATER

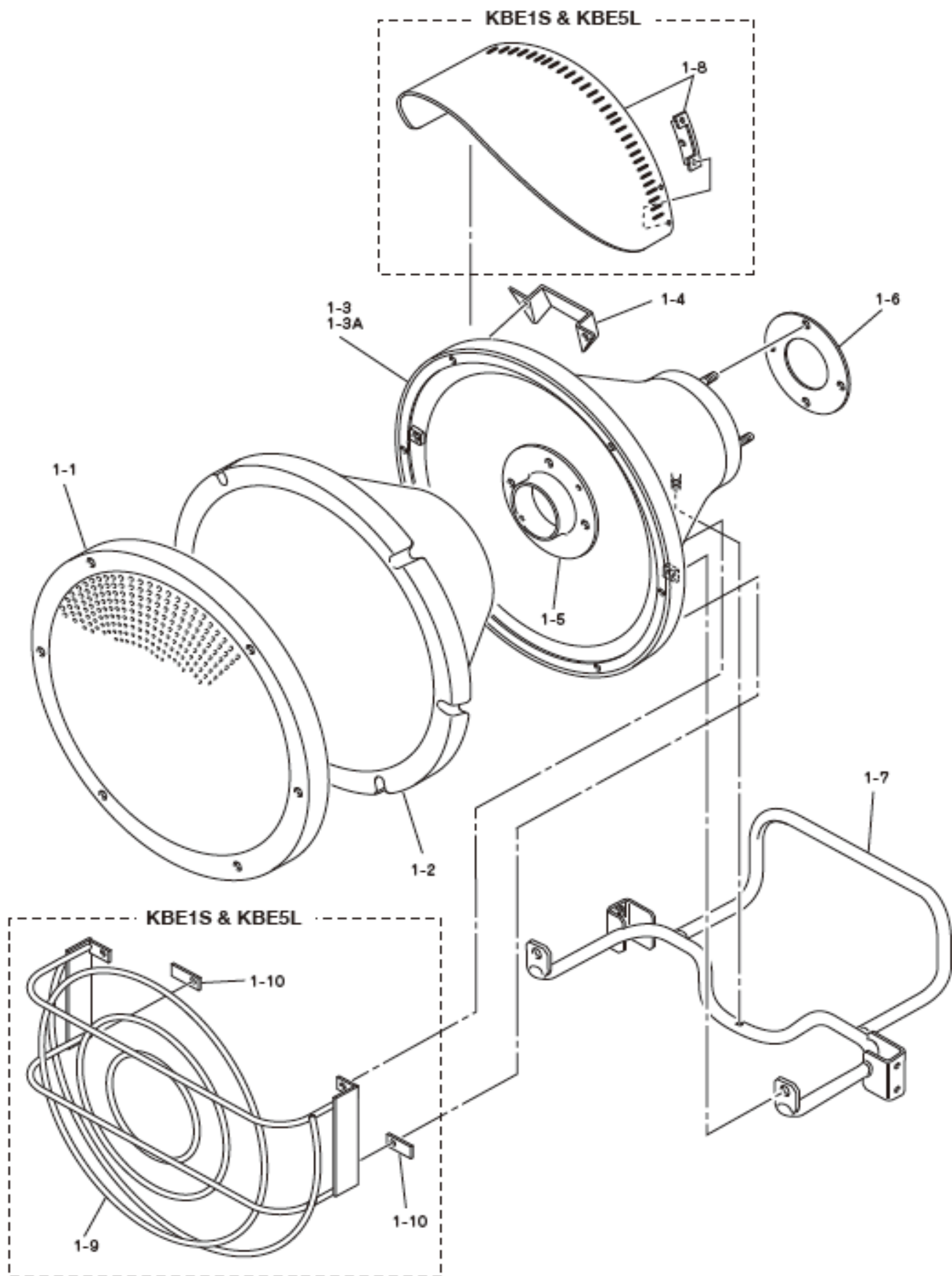
Model

◆ **KBE5S for 120V 60Hz**

◆ **KBE5L for 120V 60Hz**

◆ **KBE5L 2-step for 120V 60Hz**

PART NO.	PART NAME <RADIATION UNIT>	CODE NO.	Q'TY /SET	KBE5S	KBE5L	KBE5L 2STEP
1-1	RADIATION DISK	21022 0001-1	1	●	●	●
1-2	CONICAL INSULATOR	50298 203001	1	●	●	●
1-3	CONICAL HOUSING	50298 103003	1	N/A	N/A	
		50300 180001	1	●		
1-3A	CONICAL HOUSING	50330 103004	1		N/A	
		50330 180001	1		●	●
1-4	CAUTION LABEL PLATE	50298203A05	1	●	●	●
1-5	BURNER FITTING PIECE	21022 0001-5	1	●	●	●
1-6	BURNER PACKING	50298 201016	1	●	●	●
1-7	BURNER SUPPORT	50300 103002	1	●	●	●
1-8	VISOR	50330 103002	1		●	●
1-9	PROTECTOR ASSEMBLY	50330 103003	1		●	●
1-10	RETAINER PLATE	50330 203006	2		●	●

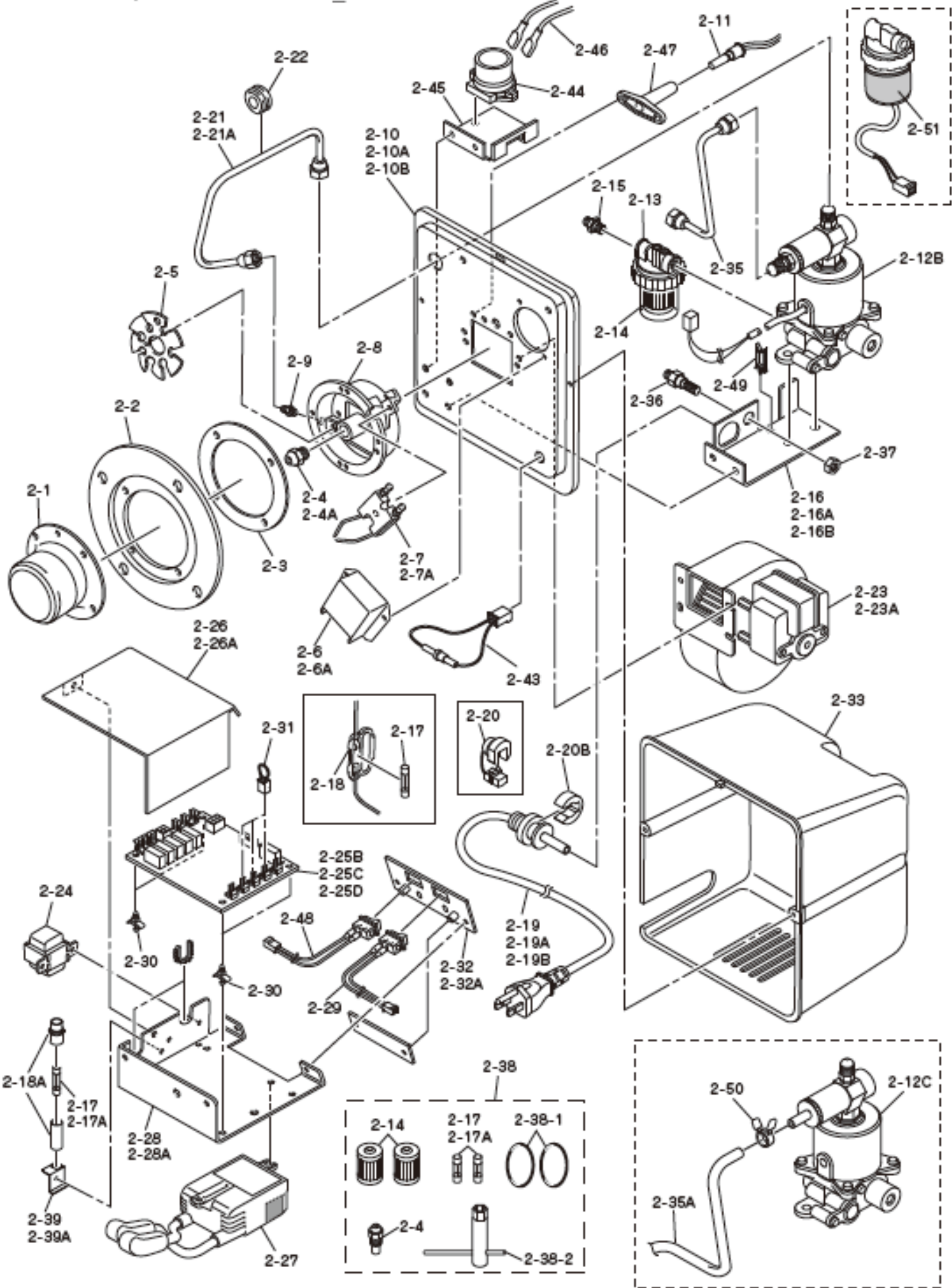


VAL6 KBE1S/5S/5L Radiation Section Revised 2011

PART NO.	PART NAME < BURNER >	CODE NO.	Q'TY /SET	KBE5S	KBE5L	KBE5L 2STEP	
2-1	BURNER CONE	50300 201017	1	●	●	●	
2-2	BURNER FLANGE	50300 201008	1	●	●	●	
2-3	DIFFUSER PACKING	50298 201020	1	●	●	●	
2-4	NOZZLE	50300 201018	1	●	●		
2-4A		50335 201038	1			●	
2-5	WHIRL VANE	50300 201007	1	●	●	●	
2-6	ELECTRODE COVER	50298 201008	1	●	●		
2-6A		50330 201009	1			●	
2-7	ELECTRODE	50262 202010	1	□			
2-7A		50303 201010	1	●	●	●	
2-8	DIFFUSER	50284 202007	1	●	●	●	
2-9	NOZZLE NIPPLE	50217 202052	1	●	●	●	
2-10	BURNER BASE	50298 201001	1	□			
2-10A		50303 201012	1	●	●		
2-10B		50330 201006	1			●	
2-11	FLAME MONITOR COMPLETE	50262 102008	1	●	●	●	
2-11A		50306 101003	1	●	(spare parts only)	●	
2-12	FUEL PUMP without Air vent valve	50300 201A06	1	N/A			
2-12A	FUEL PUMP with Air vent valve	50300 201006	1	N/A			
2-12B	FUEL PUMP with Air vent valve	50330 201003	1	●	●		
2-12C		50330 201005	1			●	
2-13	FUEL FILTER COMPLETE	21021 0003-9	1	●	●	●	
2-13A		50204 201085	1	N/A	N/A	N/A	
2-14	FILTER ELEMENT	21021 003-10	1	●	●	●	
2-14A		50204 201082	1	N/A	N/A	N/A	
2-15	FILTER NIPPLE	22031 001-43	1	●	●	●	
2-16	PUMP BRACKET	50300 201003	1	●	●		
2-16A		50300 201034	1	●	●		
2-16B		50330 201007	1			●	
2-17	FUSE (3A)	50204 201061	1	□			
2-17A		50300 201026	1	●	●	●	
2-18	FUSE HOLDER	50217 202034	1	□			
2-18A		50300 201024	1	●	●	●	
2-19	POWER CABLE including plug	50300 201019	1	N/A			
2-19A		50300 201027	1	N/A	N/A		
2-19B		50300 2A1027	1	●	●	●	
2-19C		50330 201021	1	●		●	
2-20	CABLE STOPPER	50221 2A2028	1	□	□		
2-20B		50205 201017	1	●	●	●	
2-21	FUEL OUTLET LINE	50300 201009	1	●	●		
2-21A		50330 201012	1			●	
2-22	PUMP NOZZLE GROMMET	21022 003-25	1	●	●	●	
2-23	FAN MOTOR	50300 201004	1	●	●		
2-23A		50330 201013	1			●	
2-24	STEP DOWN TRANSFORMER	50300 201005	1	●	●	●	
2-25	BURNER CONTROL	50291 201001	1	N/A			
2-25A		50321 204003	1	N/A	N/A		
2-25B		50321 204005	1	●	●		
2-25C		50300 201032	1	●			
2-25D		50308 201009	1			●	
2-25E	50330 201020	1	●		●		
2-26	BURNER CONTROL COVER	50298 201019	1	●	●		
2-26A		50330 201010	1			●	
2-27	IGNITION TRANSFORMER	50298 201006	1	●	●	●	
2-28	CONTROL CHASSIS	50300 201001	1	●	●		
2-28A		50330 201008	1			●	
2-29	SWITCH ASSEMBLY	50299 104005	1	●	●	●	
2-29A		50300 101008	1	●			
2--29B	OPERATION SWITCH	50254 204006	1			●	
2-30	CONTROL SUPPORT	50229 201037	4	●	●	●	
2-31	SHORT CIRCUIT CORD	50249 203047	3	●			
			1	●	●		
			0	●	●	●	
2-32	FACE PLATE	50300 201002	1	N/A	N/A		
		50300 101006	1	●			
		50303 101006	1		●		
		2-32A	50330 101006	1			●
		2-32B	50300 101007	1	●		
2-33	BURNER COVER	50300 101005	1	●			
		50330 101002	1		●	●	
2-35	RETURN LINE	50300 201014	1	●	●		
2-35A		50330 201016	1			●	
2-36	RETURN LINE NIPPLE	50300 201015	1	●	●	●	
2-37	NIPPLE FITTING NUT	21300 503-58	1	●	●	●	
2-38	REPAIR SET	50300 103-83	1	●	●		
		50330 180003	1			●	
2-38-1	O-RING	21021 003-13		●	●	●	
2-38-1A		50204 201083		N/A	N/A		
2-38-2	NOZZLE SPANNER	21022 003-68		●	●	●	

2-39	FUSE HOLDER BRACKET	50300 201025	1	●	●	●
2-39A		50330 201014	1			●
2-43	THERMOSTAT CABLE	50300 201029	1	●	●	●
2-43A		50330 201023	1	●	●	●
2-44	TIP-OVER SWITCH	50298 202015	1	●	●	●
2-45	TIP-OVER SWITCH BRACKET	50300 201035	1	●	●	●
2-46	TIP-OVER SWITCH CORD	50300 201036	1	●	●	●
2-46A		50330 201024	1	●	●	●
2-47	FLAME MONITOR HOLDER	50262 202029	1	●	●	●
2-48	CHANGE-OVER SWITCH	50299 104006	1			●
2-48A		50254 204007	1			●
2-49	WIRE BINDING	50810 201055	1			●
2-50	HOSE CLAMP	50319 202016	1			●
2-51	STRAINER HEATER ASSEMBLY (with body & Ring)	50330 101009	1			●
2-52A		50330 101011	1			●
2-52	OPERATION & CHANGE-OVER SWITCH CORD	50330 201025	1			●

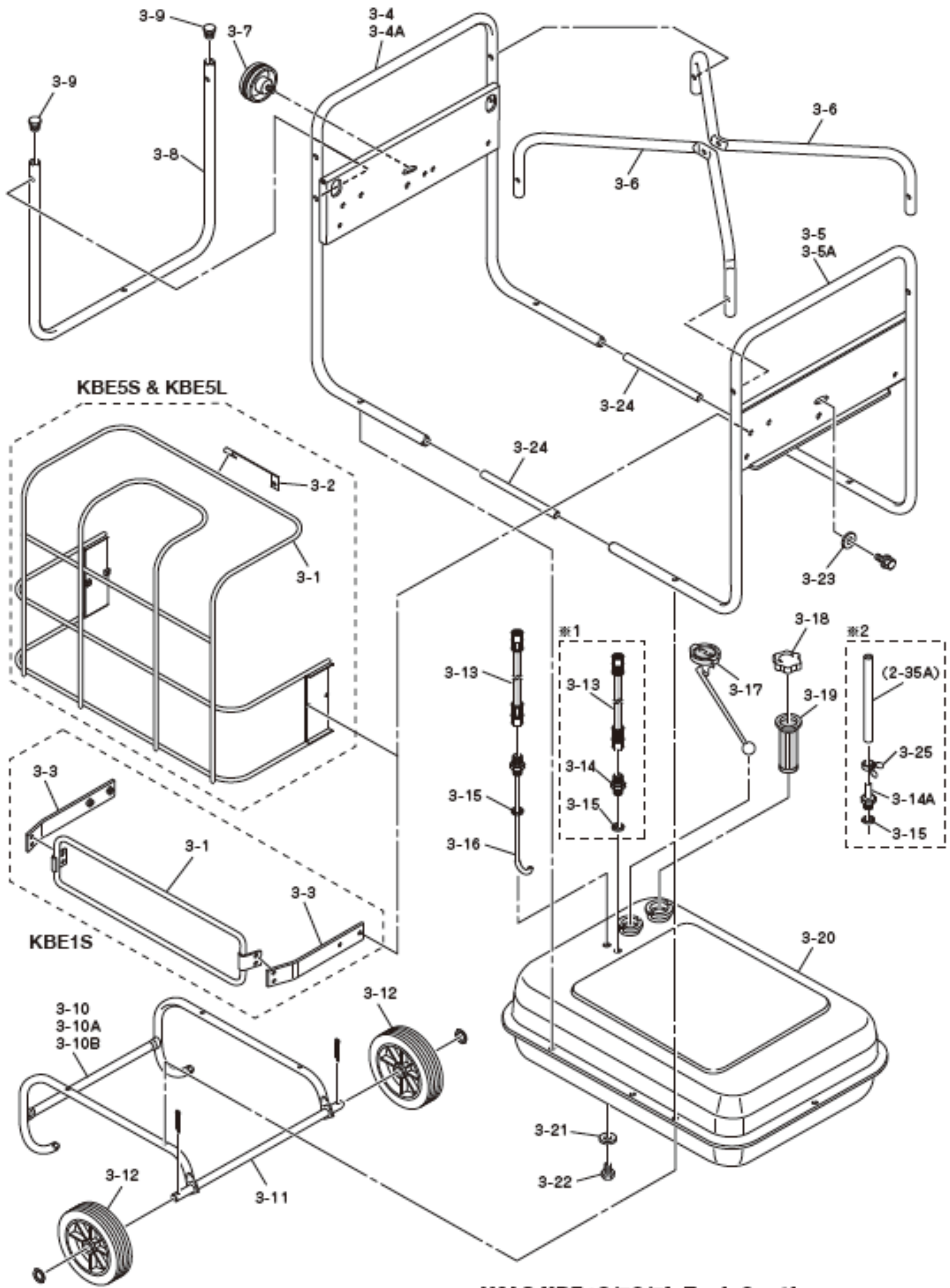
VAL6 KBE5S/5L Burner Section Revised 2011



PART NO.	PART NAME < FUEL TANK >	CODE NO.	Q'TY /SET	KBE5S	KBE5L	KBE5L 2STEP
3-1	PROTECTOR ASSEMBLY	50300 102007	1	●	●	
3-2	PROTECTOR SUPPORT	50300 202007	1	●		
		50330 202013	1		●	
3-4	FRAME (R)	50300 102004	1	●		
		50330 102004	1		●	
3-4A		50330 102009	1		●	●
3-5	FRAME (L)	50300 102005	1	●		
		50330 102005	1		●	
3-5A		50330 102010	1		●	●
3-6	FRAME CONNECTION PIPE	50303 202006	2	●		
		50330 202007	2		●	●
3-7	KNOB BOLT	50229 202074	1	●	●	●
3-8	HANDLE	50300 202004	1	●		
		50330 202008	1		●	●
3-9	PIPE END CAP	50298 202013	2	●		
		50330 202009	2		●	●
3-10	TANK LEG	50300 102006	1	●		
3-10A		50300 102011	1	●		
3-10B		50330 102006	1		●	●
3-11	WHEEL SHAFT	50300 202008	1	●		
3-12	WHEEL	50201 204006	2	●	●	●
3-13	FUEL HOSE	50300 202009	2	●	●	
			1			●
3-14	RETURN NIPPLE	50212 205004	2	●	●	
3-14A	FLANGE CONNECTION	50330 202022	1			●
3-15	SUCTION PACKING	21650 100207	2	●	●	●
3-16	SUCTION PIPE ASSEMBLY	50300 102008	1	●		
		50330 102007	1		●	●
3-17	FUEL GAUGE	50300 202018	1	●		
		50278 102003	1		●	●
3-18	TANK CAP	50221 103003	1	●	●	●
3-19	TANK INLET FILTER	22011 0002-8	1	●	●	
3-20	FUEL TANK	50300 102002	1	-		
		50330 102002	1		-	-
		50300 102010	1	●		
		50330 102011	1		●	●
3-21	DRAIN PACKING	50231 204021	1	●	●	●
3-22	DRAIN BOLT	50231 204020	1	●	●	●
3-23	GASKET	21300 5002-9	1	●	●	●
3-24	PIPE CONNECTION	50300 202025	2	●		
		50330 202016	2		●	
3-25	HOSEe CLAMP	50319 202016	1			●

Option

	SHIELDING MAT(10pieces pack)	50300 205001				
	GUARD FENCE	50300 106001				



VAL6 KBE1S/5S/5L Tank Section Revised 2011