



Rhino Parts List

PD-200 Air Operated Post Driver & Accessories

NO.	DESCRIPTION	PART NO.	NO. REQUIRED
	Model PD-200 with 5 1/2" (139.7 mm) I.D. Master Chuck	070745	
	Model PD-200 with 7" (177.8 mm) I.D. Master Chuck	070756	
1	Body	070585	1
2	Piston	070046	1
3	Top Cover	070750	1
4	O-Ring	499403	1
5	Cap Screw	500027	6
6	Compression Washer	517705	12
7	Model/Serial No. Plate	241	1
8	Warning Plate	242	1
9	Metal Tack	519004	8
10	Pipe Plug	230400	1
11	Cap Screw	500028	4
12	Compression Washer	517702	8
13	Gasket for 5 1/2" Master Chuck	700002	1
	Gasket for 7" Master Chuck	700008	1
14	5 1/2" (139.7 mm) I.D. Master Chuck Assembly <i>(Includes Nos. 11, 12, 13, 14, 15, 27)</i>	070746	1
15	Rhino Decal	135	1
16	Cap Screw	500007	4
17	Compression Washer	517702	4
18	2 1/2" (63.5 mm) I.D. Chuck Adapter for 5 1/2" Master Chuck (not shown)	070842	1
	3 1/8" (79.4 mm) I.D. Chuck Adapter for 5 1/2" Master Chuck	070782	1
	3 3/4" (95.3 mm) I.D. Chuck Adapter for 5 1/2" Master Chuck (not shown)	070783	1
	4 1/4" (107.9 mm) I.D. Chuck Adapter for 5 1/2" Master Chuck (not shown)	070784	1
	4 3/4" (120.7 mm) I.D. Chuck Adapter for 5 1/2" Master Chuck (not shown)	070785	1
	7" (177.8 mm) I.D. Master Chuck Assembly (not shown) <i>(Includes Nos. 11, 12, 15, 27, 7" Master Chuck # 070758, & gasket #700008)</i>	070758	1
	2 1/2" (63.5 mm) I.D. Chuck Adapter for 7" Master Chuck (not shown)	070839	1
	3 1/8" (79.4 mm) I.D. Chuck Adapter for 7" Master Chuck (not shown)	070786	1
	3 3/4" (95.3 mm) I.D. Chuck Adapter for 7" Master Chuck (not shown)	070787	1
	4 1/4" (107.9 mm) I.D. Chuck Adapter for 7" Master Chuck (not shown)	070788	1
	4 3/4" (120.7 mm) I.D. Chuck Adapter for 7" Master Chuck (not shown)	070789	1
	5 1/4" (133.4 mm) I.D. Chuck Adapter for 7" Master Chuck (not shown)	070790	1
	5 3/4" (146.1 mm) I.D. Chuck Adapter for 7" Master Chuck (not shown)	070791	1
19	4" x 6" (101 mm x 152 mm) H Column Chuck* <i>(Includes 4 cap screws, -part # 500028 and 8 washers- part # 517702)</i>	070759	1
20	4" x 6" (101 mm x 152 mm) H Column Drive Cap	070062-T	1
21	4" x 4" (101 mm x 101 mm) Wood Post Chuck for 5 1/2" Master Chuck* <i>(Includes 4 cap screws, -part # 500028 and 8 washers- part # 517702)</i>	070760	1
	4" x 4" (101 mm x 101 mm) Wood Post Chuck for 7" Master Chuck* (not shown) <i>(Includes 4 cap screws, -part # 500028 and 8 washers- part # 517702)</i>	070837	1
	6" x 6" (152 mm x 152 mm) Wood Post Chuck* (not shown) <i>*See Chuck Sizing Tech Data (Form No. 121-1); Includes Necessary Cap Screws and Compression Washers</i>		
	Throttle Valve Kit with 2 ft Hose Assembly <i>(Includes Nos. 22, 23, 24, 25, 26)</i>	600000	
22	3/4" (19 mm) Hose Assembly	607000	1
	3/4" (19 mm) Hose Per Foot (Order Length Needed)	605006	
23	Throttle Valve with Lever Guard	610026	1
24	Pipe Nipple	230401	1
25	Coupler	606600	2
26	Safety Clip	606601	1
27	Warning Label	245	1

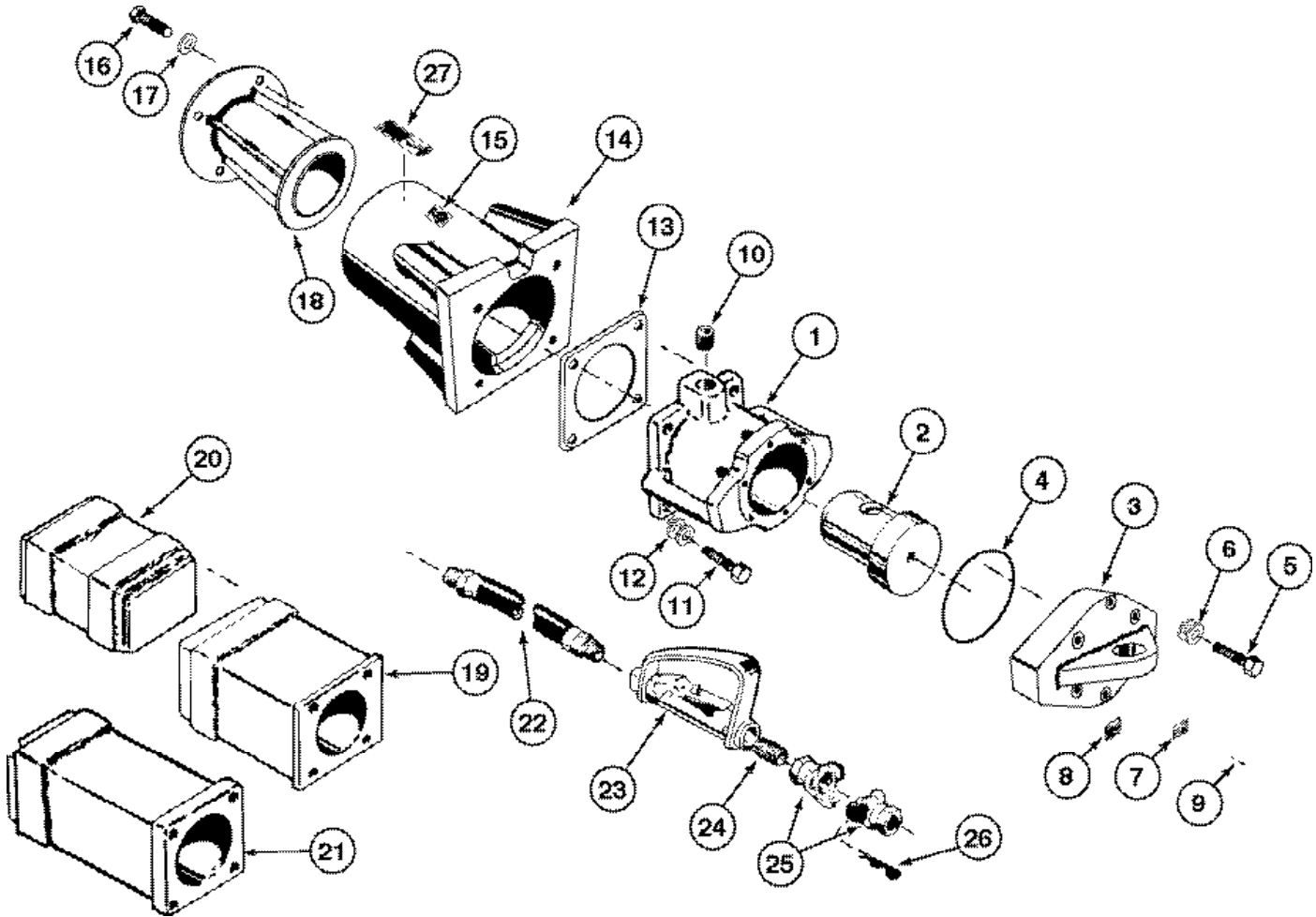


CALL US TOLL FREE
1-888-900-CONX(2669)

EMAIL US
INFO@CONSEQUIMENT.COM

Rhino Exploded View

PD-200 Air Operated Post Driver & Accessories



CALL US TOLL FREE
1-888-900-CONX(2669)

EMAIL US
INFO@CONSEQUIMENT.COM