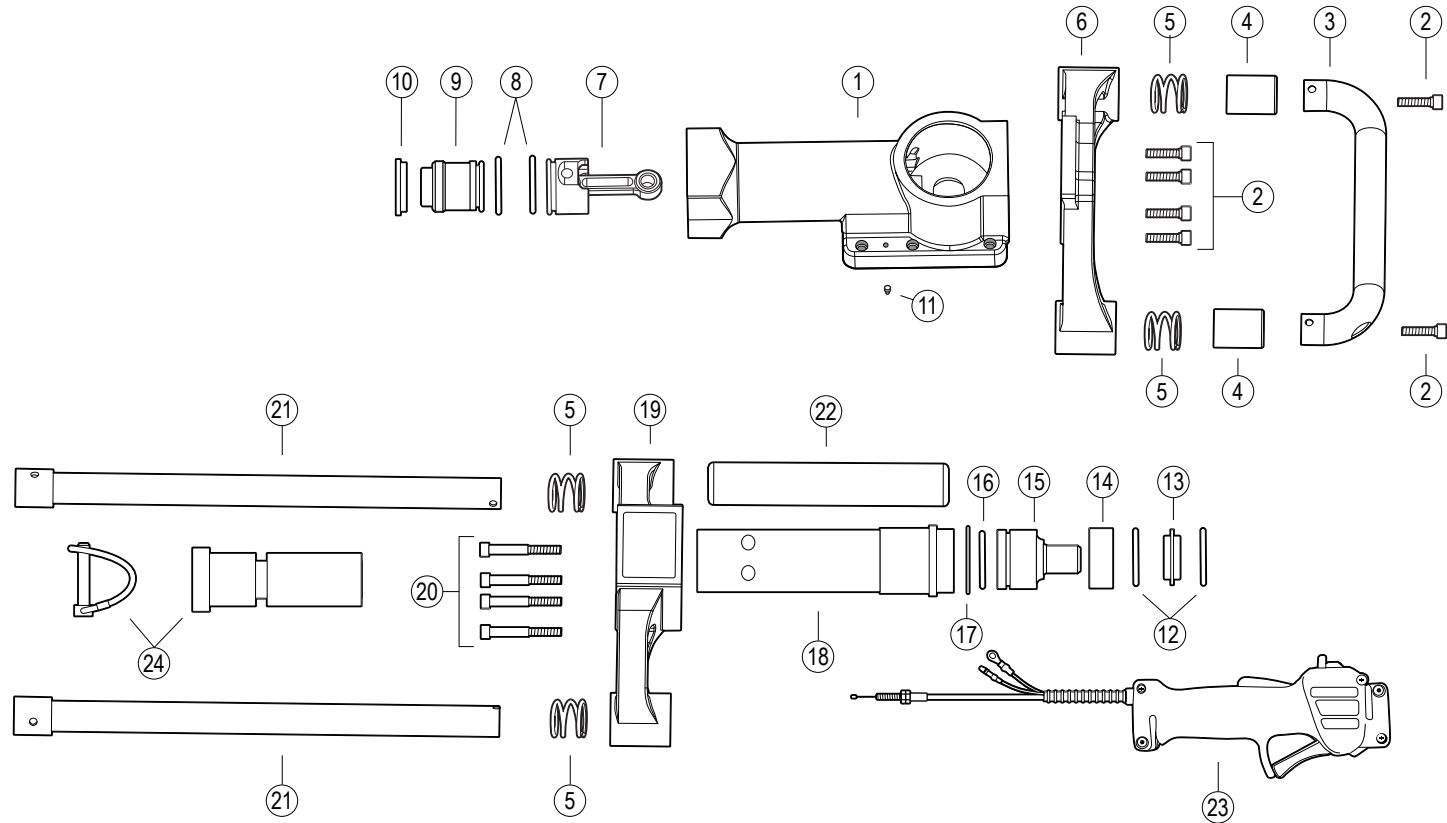


Rhino® Ranch Pro™ Parts List

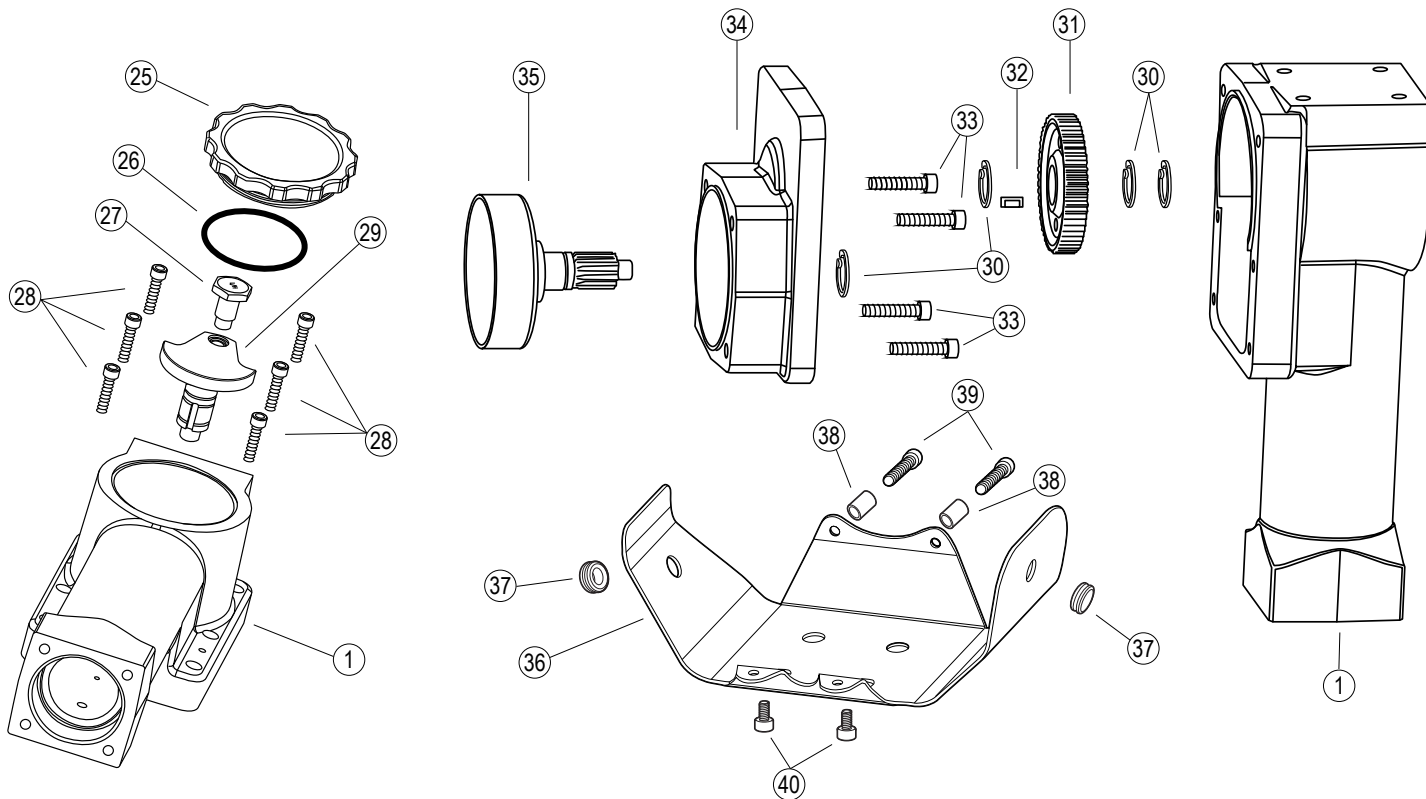


Rhino® Ranch Pro™ Parts List ...continued

No.	P/N	Description
1	300015	Post Driver Body with Cylinder and Bearings
2	300715-4	Top Handle Bolt Set
3	301222	Top Handle w/Foam Grip
4	301221-2	Handle Collar (2 Qty.)
5	610010-4	Handle Anti-Vibration Spring (4 Qty.)
6	300214	Top Handle Bracket
7	300075	Piston and Connecting Rod Assembly
8	300600-2	Piston O-ring Seal and Hammer O-ring Seal
9	300080	Hammer
10	300110	Anvil O-ring Retainer
11	300712	Ground Bolt
12	300604-2	Large Retainer O-ring Seal (2 Qty.)

No.	P/N	Description
13	300100	Large Retainer
14	300090	Anvil O-ring Cup
15	300160	Anvil
16	300606	Anvil O-ring
17	300608	Chuck Tube O-ring Seal
18	300156	Ranch Pro Chuck Tube
19	300031	Lower Driver Body
20	300702-4	Lower Body Bolts (4 Qty.)
21	301232	Handle (2 Qty.)
22	300221	EPDM Handle Grip
23	300250	Throttle Control
24	300897	1" Adapter with Lock Pin (1 per driver)

Rhino® Ranch Pro™ Driver Parts List ...continued



Rhino® Ranch Pro™ Driver Parts List ...continued

No.	P/N	Name
1	300015	Post Driver Body with Cylinder and Bearings
25	300132	Crankcase Cover
26	301617	Crankcase Cover O-ring Seal
27	300050	Crank Pin
28	300704-6	Crankcase Bolts (6 per driver)
29	300040	Crankshaft
30	300782-2	Retaining Ring for Crankshaft & Clutch Drum with Pinion Gear (4 per driver)
31	300200	Gear
32	300730	Key
33	300700-4	Clutch Housing Bolts (4 per driver)
34	300025	Clutch Housing with Bearings
35	300120	Clutch Drum with Pinion Gear
36	300180	Shroud
37	300181-2	Grommet (2 per driver)
38	300190-2	Shroud Spacer (2 per driver)
39	300706-2	Shroud Bolt (2 per driver)
40	300705-2	Lower Shroud Bolt (2 per driver)
	300240	Honda GX35 Engine
	300800	Ranch Pro Owner's Manual
	300805	Safety Label and Tag Set

No.	P/N	Name
	Honda Engine Parts	Honda Engine Parts are Available from Your Local Honda Dealer
Accessories		
24	300897	1" Adapter with Lock Pin (1 per driver)
	301233	Lower Handle Assembly (optional)
	300500	Rhino® Pro Series Grease
	300505	Service Kit for Ranch Pro
Bolt Torque Specifications		
2	300715-4	Top Handle Bolt Set – 132.0 in/lbs (14.91 Nm)
20	300702-4	Lower Body Bolt Set– 132.0 in/lbs (14.91 Nm)
27	300050	Crank Pin (Left Hand Threads)– 360.0 in/lbs (40.6 Nm)
28	300704-6	Crankcase Bolt Set 75.0 in/lbs (8.5 Nm)
33	300700-4	Clutch Housing Bolt Set – 95.0 in/lbs (10.73 Nm)
39	300706-2	Shroud Bolt (2 per driver)– 56.4 in/lbs (6.37 Nm)
40	300707-2	Lower Shroud Bolt (2 per driver)– 56.4 in/lbs (6.37 Nm)