



Rhino Parts List

PL-3 Hydraulic Post Puller & Accessories

NO.	DESCRIPTION	PART NO.	NO. REQUIRED
	PL-3 Hydraulic Post Puller	71000	
1	Pulley Mount	70173	1
2	Pulley Pin	70439	1
3	Retaining Ring	531001	1
4	Pulley	602026	1
5	Cap Screw	500182	2
6	Cable Assembly	220399	1
7	Anchor Shackle	220400	1
8	Hydraulic Pump/Cylinder Assembly	70445	1
9	Mounting Plate	70440	1
10	Base	70446	1
11	Handle	70416	1
12	Cap Screw	500041	1
13	Lock Washer	517801	1
14	Safety Restraint	220401	1
15	Post Grabber	71040	1

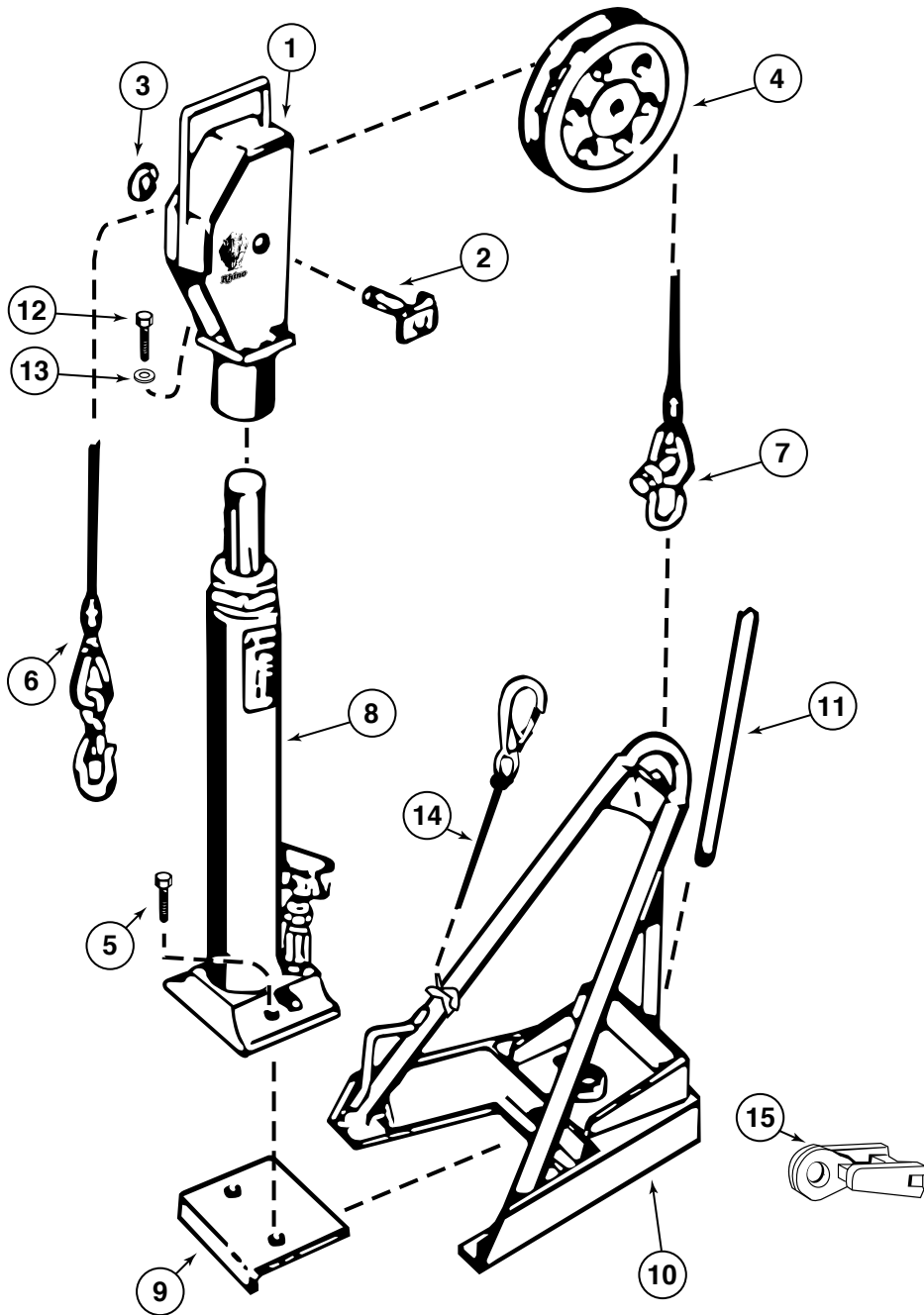


CALL US TOLL FREE
1-888-900-CONX(2669)

EMAIL US
INFO@CONXEQUIPMENT.COM

Rhino[®] Exploded View

PL-3 Hydraulic Post Puller & Accessories



CALL US TOLL FREE
1-888-900-CONX(2669)

EMAIL US
INFO@CONSEQUIMENT.COM